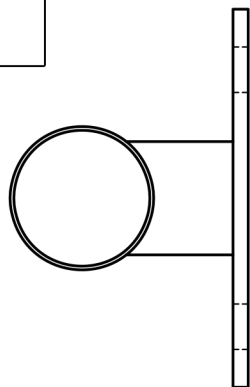
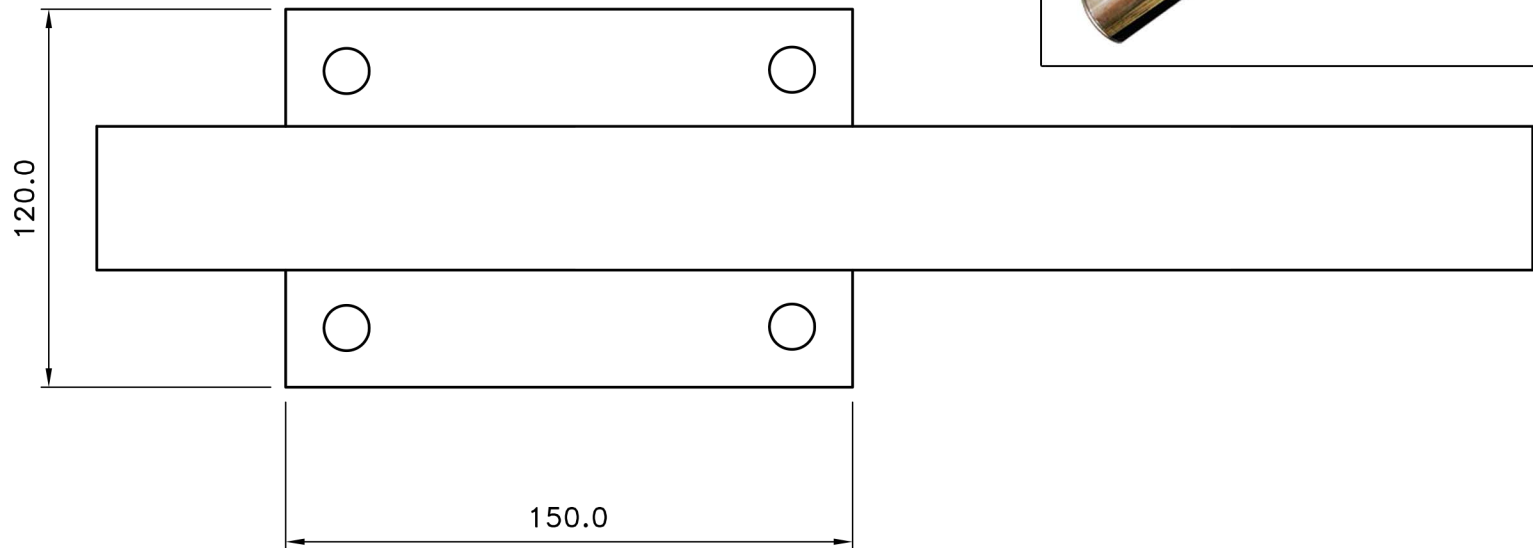
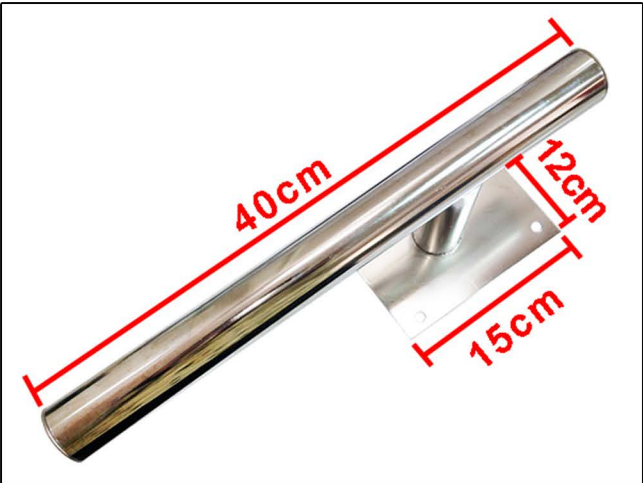


REV	DATE	DESCRIPTION	DRAWN



TITLE  
戶外天線牆壁固定架

DRAWING NO.  
WL-LFI-02

APPROVED

DRAWN DATE  
10/25/13

CHECKED

SCALE  
1:2

DRAWN

ALICE

UNIT

mm

**NOTE**  
 1. STRIP ALL BURRS.  
 2. ALL DIMENSIONS ARE AFTER PLATING.  
 3. DIAMETERS ON COMMON CENTERS TO BE CONCENTRIC WITHIN 0.1 T.I.R  
 4. CHAMFER 1ST & LAST THREADS 45°  
 5. BREAK ALL CONNERS & EDGES CO.15 MAX.

**DIMENSION**  
 UNLESS OTHERWISE NOTED TOLERANCES  
 X=±0.3  
 0.X=±0.2  
 0.XX=±0.1