



WIFI-Link™ Technologies Inc.

歲海尼可網路科技有限公司

WEB:<http://www.wifi-link.com.tw/> TEL:06-2523801 FAX:06-2526033

MAGE BASE + RP SMA MALE +RG174L=1500mm

BM-174RPSMA-A1500

SPECIFICATIONS:

Specification

Length	41.9mm
Diameter	60mm
Weight	75g
Cable	RG174 L=1500mm
RoHS Compliant	Yes
BM Material	Black rubber sheet
Material of Radiator	Cu (Plated)
Connector Type	SMA Male Reverse
Storage Temperature	30 °C ~ + 85 °C
Operation Temperature	30 °C ~ + 85 °C



Reliability Testing

Test Item	Procedure	Requirement
Visual inspection and Dimension Check	Applicable methods using x5 magnification	follow specification
Rapid Changing of Temperature	-40°C (30minutes) to 90°C (30minutes); 24 cycles	After 2 hours recovery: 1. no visible damage 2. Freq. Tol.: < ±5%
Damp Heat	24 hours at 60°C; 90 ~ 95% RH	After 2 hours recovery: 1.no visible damage 2. Freq. Tol. : < ±5%
Endurance	24 hours at 90°C	After 2 hours recovery: 1. no visible damage 2. Freq Tol.: < ±5%

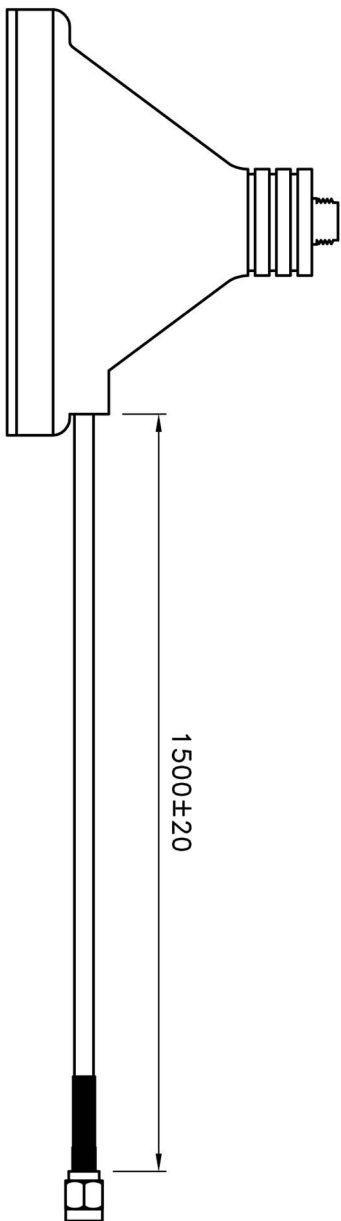
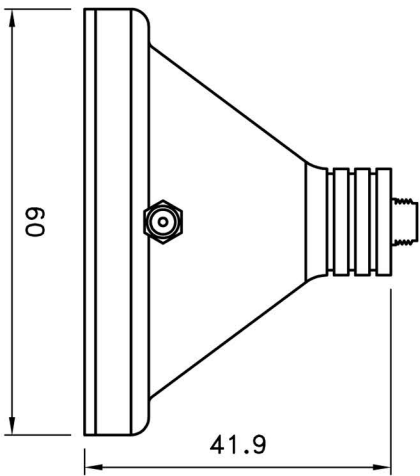


WIFI-Link™ Technologies Inc.

歲海尼可網路科技有限公司

WEB:<http://www.wifi-link.com.tw/> TEL:06-2523801 FAX:06-2526033

REV	DATE	DESCRIPTION	DRAWN



NOTE:
1. CABLE: RG174

NOTE	DIMENSION
1. STRIP ALL BURRS.	UNLESS OTHERWISE NOTED TOLERANCES X = ±0.3 0.X = ±0.2 0.XX = ±0.1
2. ALL DIMENSIONS ARE AFTER PLATING.	
3. DIAMETERS ON COMMON CENTERS TO BE CONCENTRIC WITHIN 0.1 T.I.R.	
4. CHAMFER 1ST & LAST THREADS 45°.	
5. BREAK ALL CORNERS & EDGES CO.15 MAX.	

 WIFI-Link 台灣威海尼可		TITLE	
		MAGE BASE+RP SMA MALE+RG174	
DRAWING NO.		DRAWN DATE	
BM-174RPSMA-A1500		10/12/07	
APPROVED		SCALE	
CHECKED		1:1	
DRAWN		UNIT	
ALICE		mm	