



WIFI-Link™ Technologies Inc.

歲海尼可網路科技有限公司

WEB: <http://www.wifi-link.com.tw/> TEL:06-2523801 FAX:06-2526033

圓型磁鐵基座+5公尺線材 RSMA (RG174)

WL-MBDA-5M

SPECIFICATIONS:

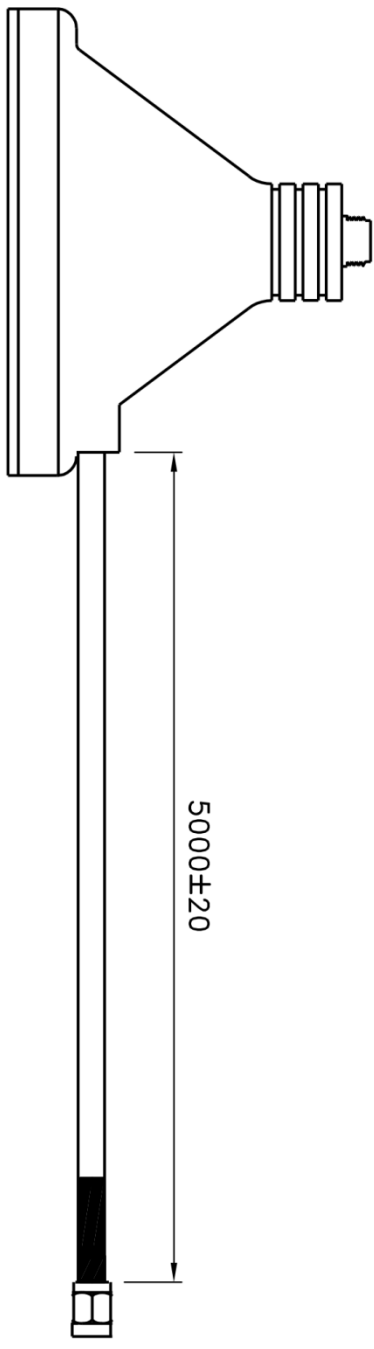
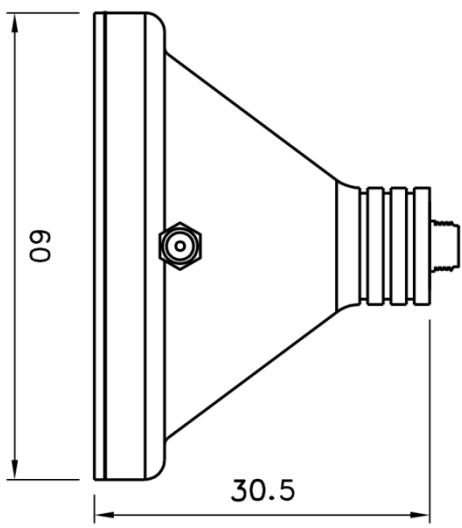
Length	30.5mm
Diameter	60mm
Weight	80g
Cable	RG174 L=5000mm
RoHS Compliant	Yes
BM Material	Black rubber sheet
Material of Radiator	Cu (Plated)
Connector Type	RP SMA MALE
Storage Temperature	30 °C ~ + 85 °C
Operation Temperature	30 °C ~ + 85 °C



Reliability Testing:

Test Item	Procedure	Requirement
Visual inspection and Dimension Check	Applicable methods using x5 magnification	follow specification
Rapid Changing of Temperature	-40°C (30minutes) to 90°C (30minutes); 24 cycles	After 2 hours recovery: 1.no visible damage 2.Freq. Tol.: < ±5%
Damp Heat	24 hours at 60°C; 90 ~ 95% RH	After 2 hours recovery: 1.no visible damage 2.Freq. Tol. : < ±5%
Endurance	24 hours at 90°Ci	After 2 hours recovery: 1.no visible damage 2.Freq Tol.: < ±5%

REV	DATE	DESCRIPTION	DRAWN



NOTE	DIMENSION
1. STRIP ALL BURRS.	UNLESS OTHERWISE NOTED TOLERANCES X = ±0.3 0.X = ±0.2 0.XX = ±0.1
2. ALL DIMENSIONS ARE AFTER PLATING.	
3. DIAMETERS ON COMMON CENTERS TO BE CONCENTRIC W/ HIN 0.1 T.P.R.	
4. C AMFER 151 & LAST LEADS 45° & LAST EDGES CO.15 MAX.	

 WIFI-Link™ 台灣威海尼可	
TITLE 圓型磁鐵底座+5公尺線材	
DRAWING NO. WL-MBDA-5M	DRAWN DATE 10/12/07
APPROVED	SCALE 1:1
CHECKED	UNIT mm
DRAWN ALICE	

NOTE:
1. CABLE:RG174