



WIFI-Link™ Technologies Inc.

歲海尼可網路科技有限公司

WEB: <http://www.wifi-link.com.tw/> TEL:06-2523801 FAX:06-2526033

8dBi 雙頻全向天線(2.4/5GHz Antenna)

WLGO-5024-08

APPLICATIONS AND FEATURES

Applications:

- 2.4~2.5GHz/ 5.1~5.9GHz Applications
- IEEE 802.11a/b/g/n Wireless LAN
- 802.16 WiMAX Networks
- Public Wireless Hotspot
- Directional and multipoint applications
- Bluetooth ,Wi-Fi, RFID
- Wireless Video Systems

Features :

- RoHS Compliant
- The Weight is light
- Heavy Duty mounting
- Superior Performance
- Good appearance design
- Installed for vertical or horizontal polarization



SPECIFICATIONS:

Electrical Specifications

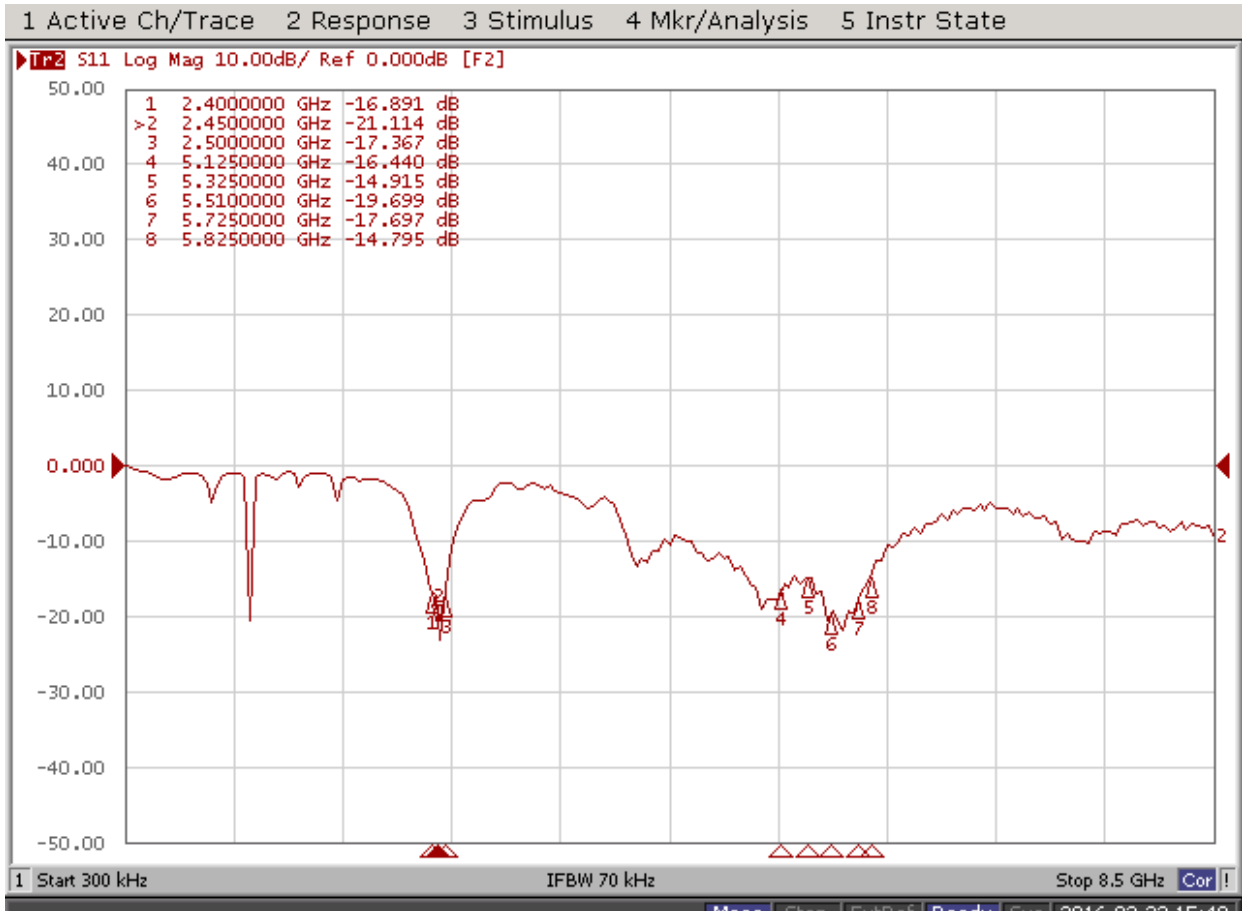
Frequency Range	2400~2500MHz 5100~5900MHz
V.S.W.R	≤ 1.5
Return Loss	≥ -14db
Antenna Type	PCB patch
Gain	08dBi 2.4GHz 08dBi 5.0GHz
Polarization	Vertical
Maximum Power	50W
Horizontal Beam-with	360°
Vertical Beam-with	35°
Impedance	50Ω

Mechanical Specifications

Length	300mm
Diameter	22.5mm
Weight	200g
Wind Survival	> 150 MPH
Radome Material	White Fiberglass
Clamps	U-bolt
Mounting	32~45mm
Operating Temperature	-40°C to +80°C
Connector	N Female

TESTING REPORT

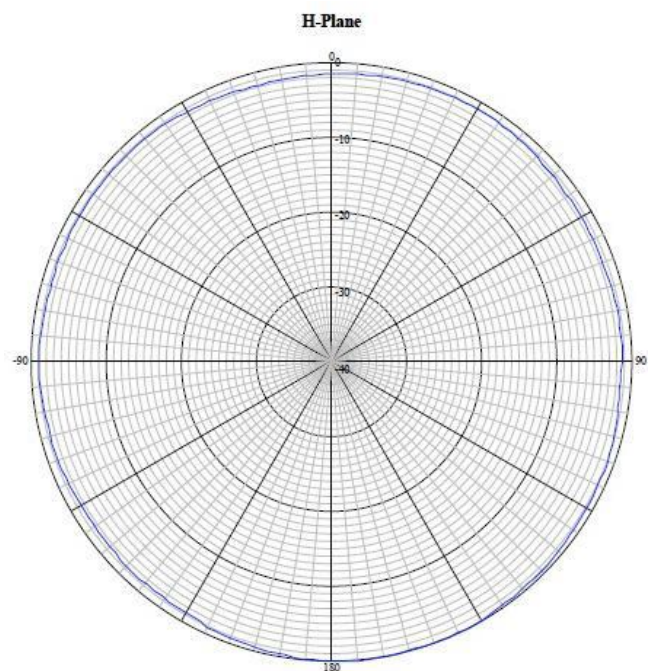
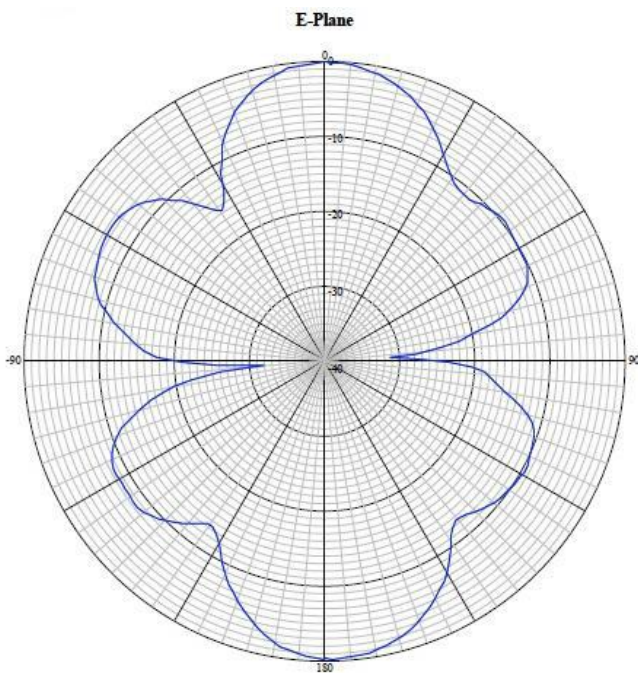
V.S.W.R



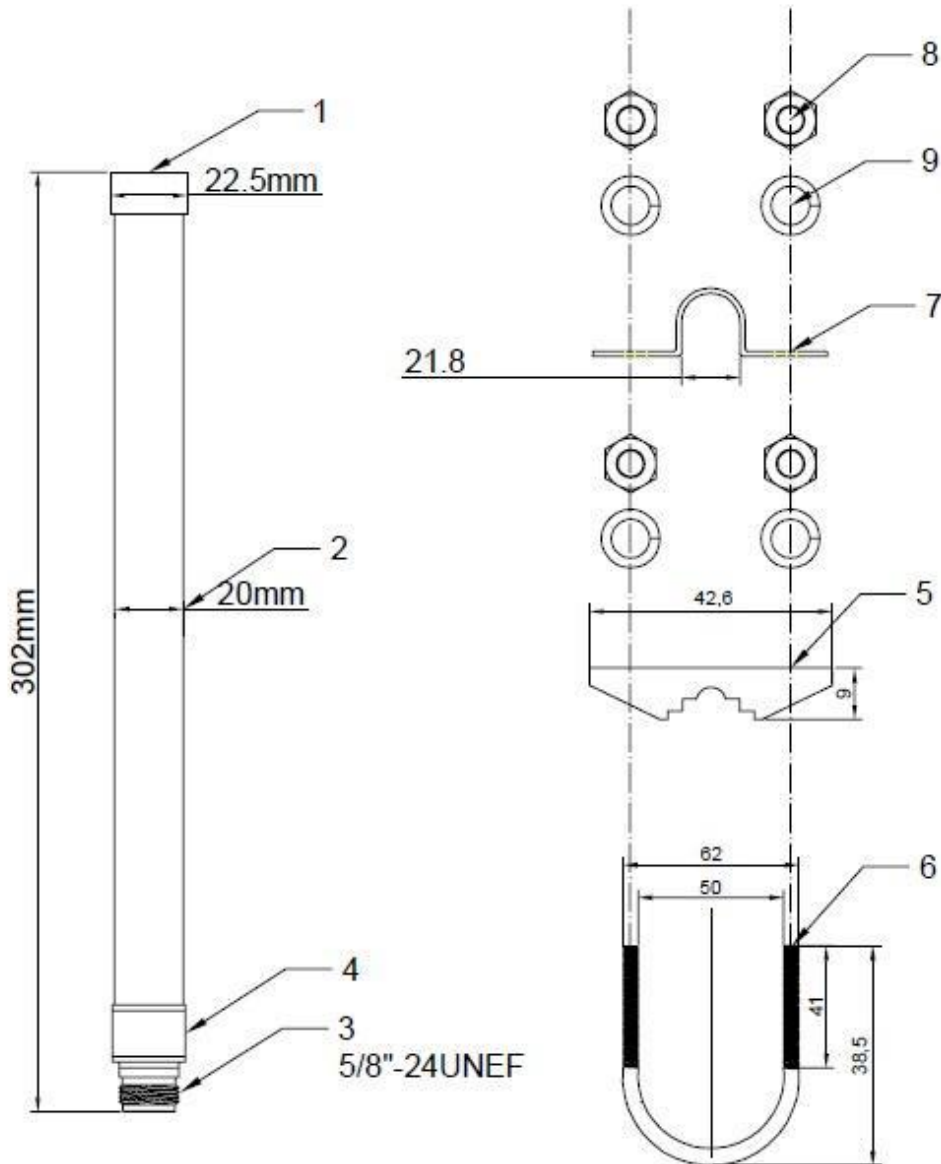
Antenna Horizontal Pattern

Vertical

Horizontal



Antenna Installation Guide



NO	Name	Material	Qty	NO	Name	Material	Qty
1	Cover	Copper	1	6	U-bolt	Stainless	1
2	Radome Material	Fiberglass	1	7	u-bolt	Stainless	1
3	Connector	N Female	1	8	M6 Nuts 1/4"-20-UNC	Zinc Plated	4
4	Ferrule	Copper	1	9	M6 SP Washers	Zinc Plated	4
5	Mounting kit	Stainless	1				

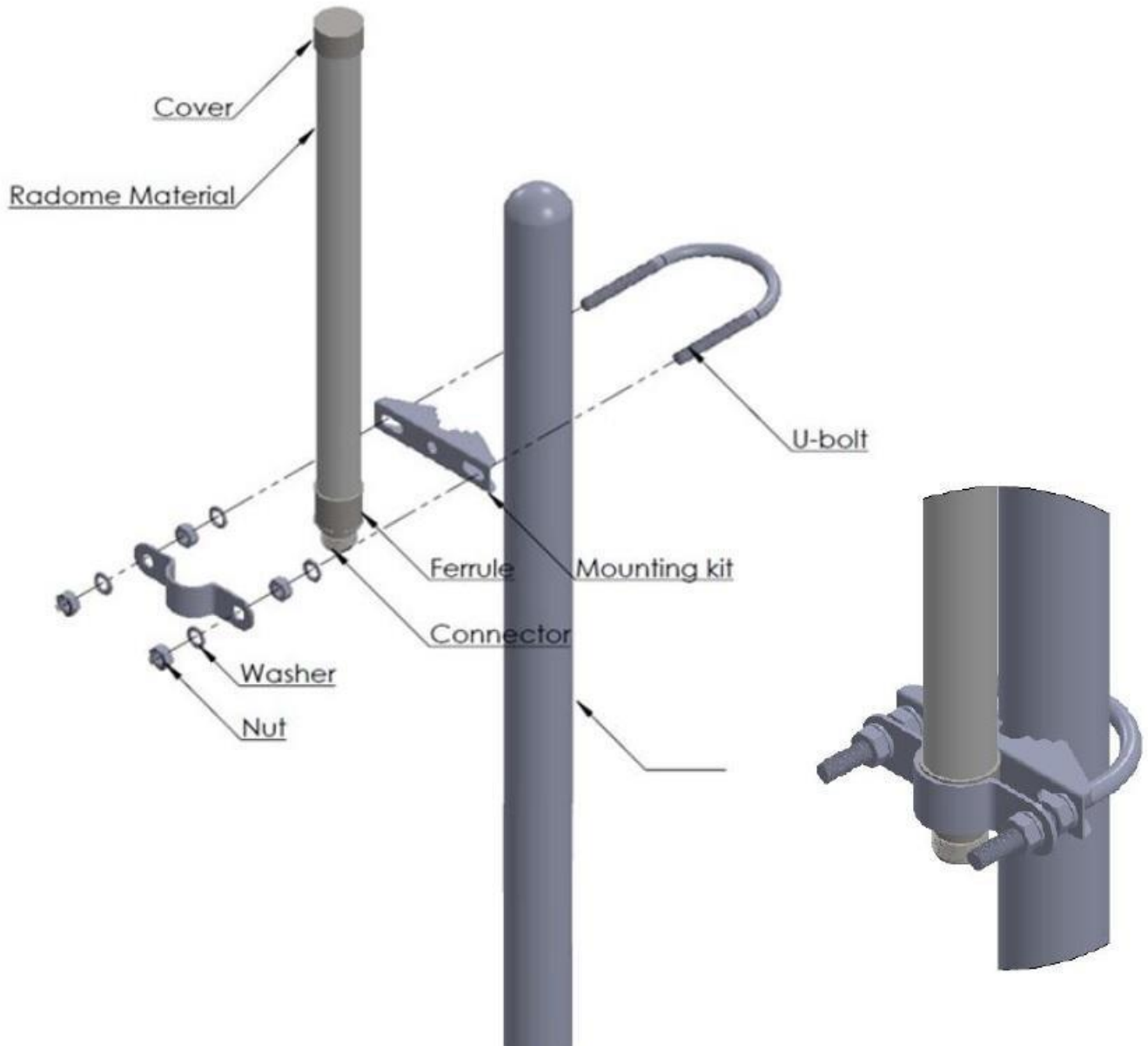


WIFI-Link™ Technologies Inc.

歲海尼可網路科技有限公司

WEB: <http://www.wifi-link.com.tw/> TEL: 06-2523801 FAX: 06-2526033

Mounting Kits Guide



WIFI-Link™ Technologies Inc.

歲海尼可網路科技有限公司

WEB:<http://www.wifi-link.com.tw/> TEL:06-2523801 FAX:06-2526033