



WIFI-Link™ Technologies Inc.

歲海尼可網路科技有限公司

WEB: <http://www.wifi-link.com.tw/> TEL: 06-2523801 FAX: 06-2526033

12dBi 雙頻指向天線*2 埠(2.4/5GHz Antenna)

WLMP-5024-12-02

APPLICATIONS AND FEATURES

Applications:

- 2.4~2.5GHz/ 5.1~5.9GHz Applications
- IEEE 802.11a/b/g/n Wireless LAN
- 802.16 WiMAX Networks
- Public Wireless Hotspot
- Directional and multipoint applications
- Bluetooth ,Wi-Fi, RFID
- Wireless Video Systems

Features :

- RoHS Compliant
- The Weight is light
- Heavy Duty mounting
- Superior Performance
- Good appearance design
- Installed for vertical or horizontal polarization



SPECIFICATIONS:

Electrical Specifications

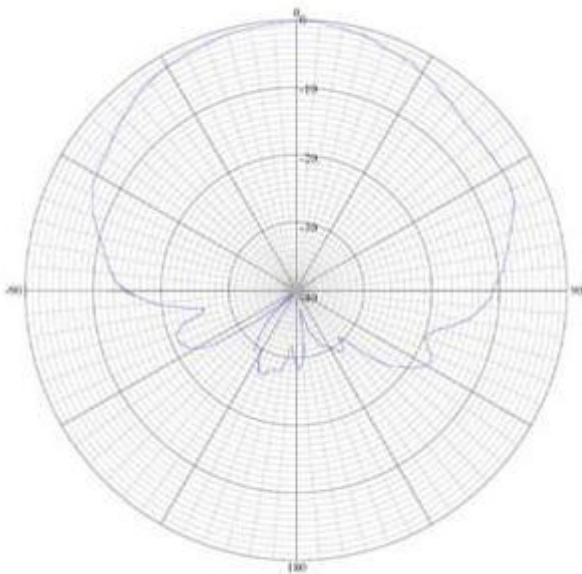
Frequency Range	2400~2500MHz 5100~5900MHz
V.S.W.R	≤ 1.5
Return Loss	≥ -14db
Antenna Type	PCB patch
Gain	10dBi 2.4GHz 12dBi 5.0GHz
Polarization	Vertical
Maximum Power	50W
HPBW	45° 2.4GHz 32° 5.0GHz
Impedance	50Ω

Mechanical Specifications

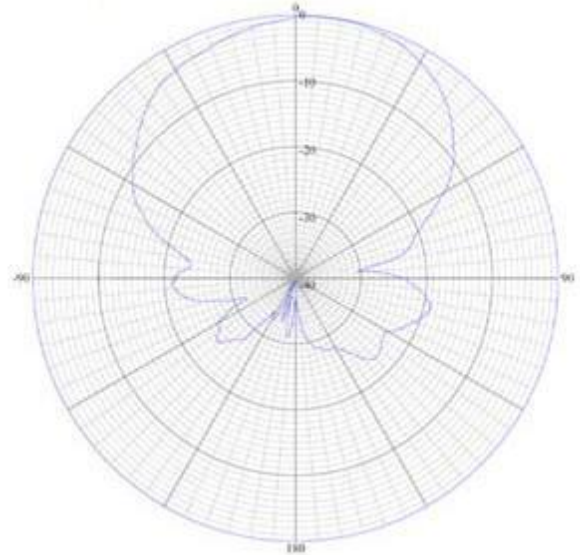
Size	L280xW115XH30mm
Weight	830g
Wind Survival	> 150 MPH
Radome Material	ABS+UV resistance
Clamps	U-bolt
Mounting	32~45mm
Operating Temperature	-40°C to +80°C
Connector	N Female x 2

Antenna Horizontal Pattern

Vertical

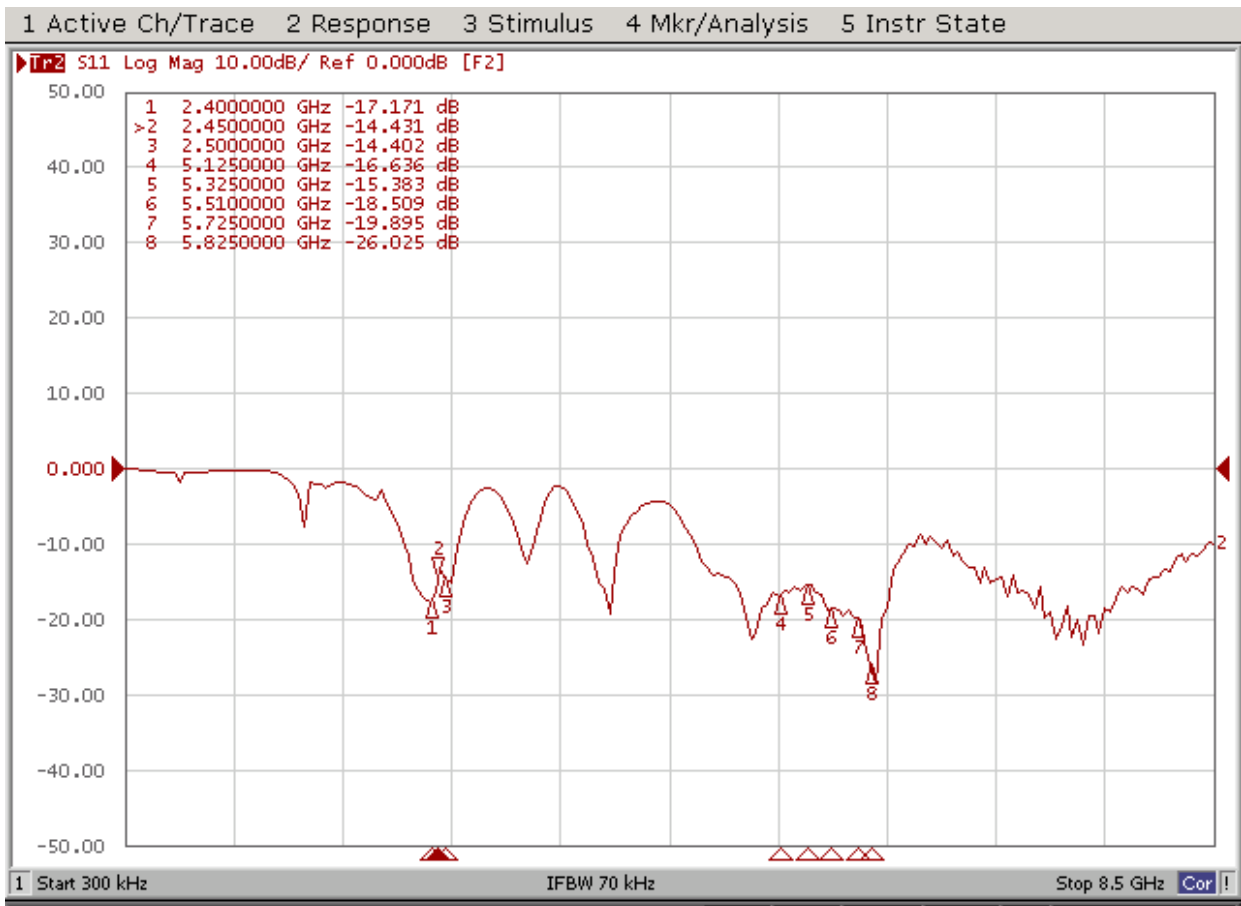


Horizontal



TESTING REPORT

V.S.W.R



Antenna Gain Curve

H-Plane

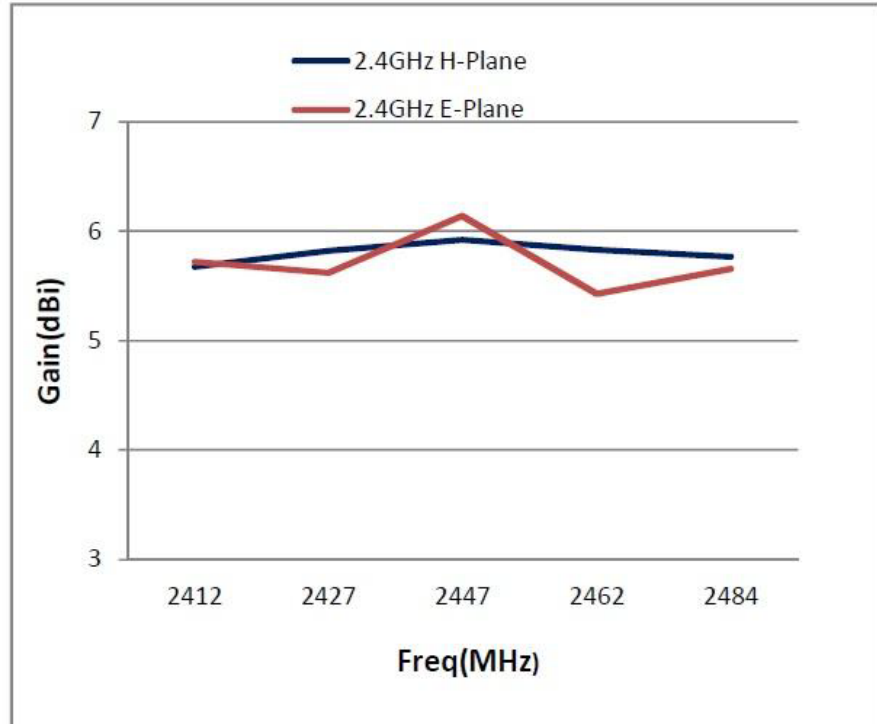
MHz	dBi
2400	10.2
2450	10.8
2500	10.4

Average 10.5

E-Plane

MHz	dBi
2400	10.4
2450	10.6
2500	10.1

Average 10.4



H-Plane

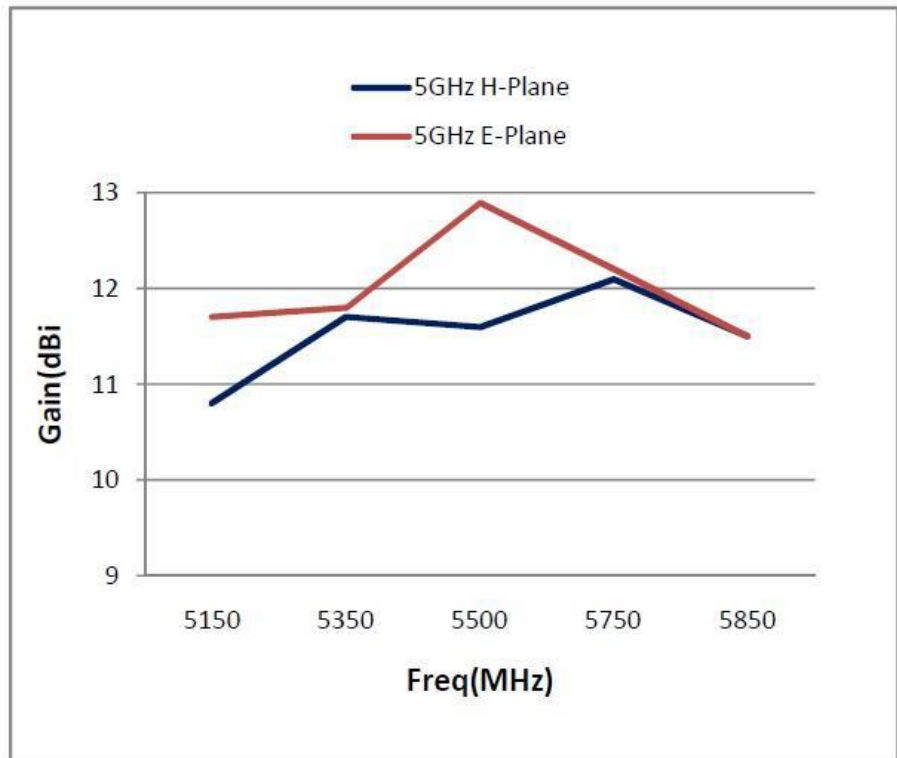
MHz	dBi
5100	10.8
5300	11.7
5500	11.6
5700	12.1
5900	11.5

Average 11.5

E-Plane

MHz	dBi
5100	11.7
5300	11.8
5500	12.9
5700	12.2
5900	11.5

Average 12



WIFI-Link™ Technologies Inc.

歲海尼可網路科技有限公司

WEB: <http://www.wifi-link.com.tw/> TEL: 06-2523801 FAX: 06-2526033

Antenna -3dB Beam-width Curve

H-Plane

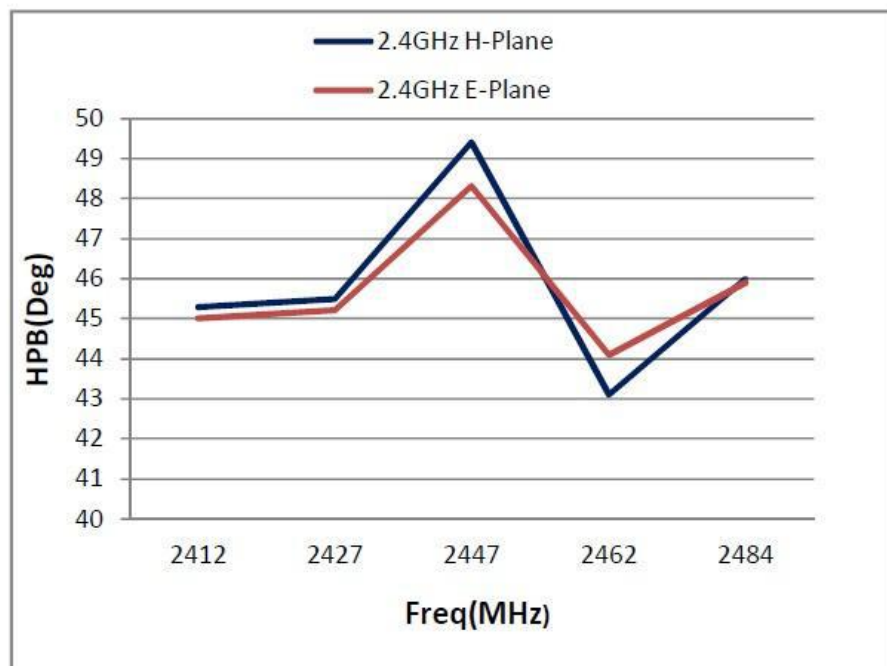
MHz	HPB(Deg)
2400	45.5
2450	49.4
2500	43.1

Average 46

E-Plane

MHz	HPB(Deg)
2400	45.2
2450	48.3
2500	44.1

Average 45.9



H-Plane

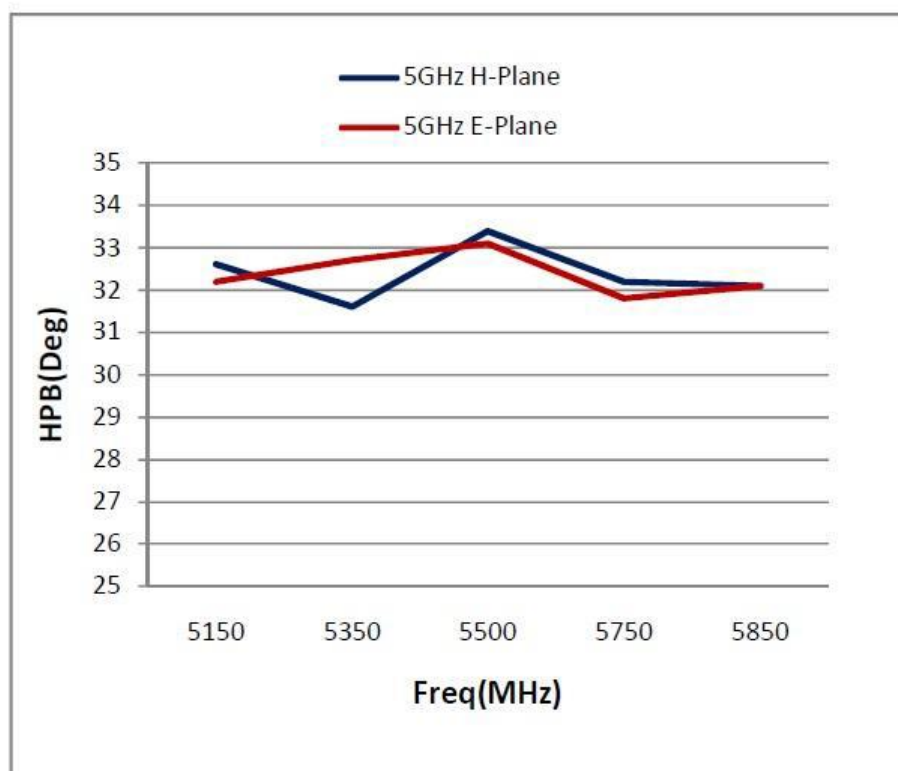
MHz	HPB(Deg)
5100	32.6
5300	31.6
5500	33.4
5700	32.2
5900	32.1

Average 32.4

E-Plane

MHz	HPB(Deg)
5100	32.2
5300	32.7
5500	33.1
5700	31.8
5900	32.1

Average 32.3

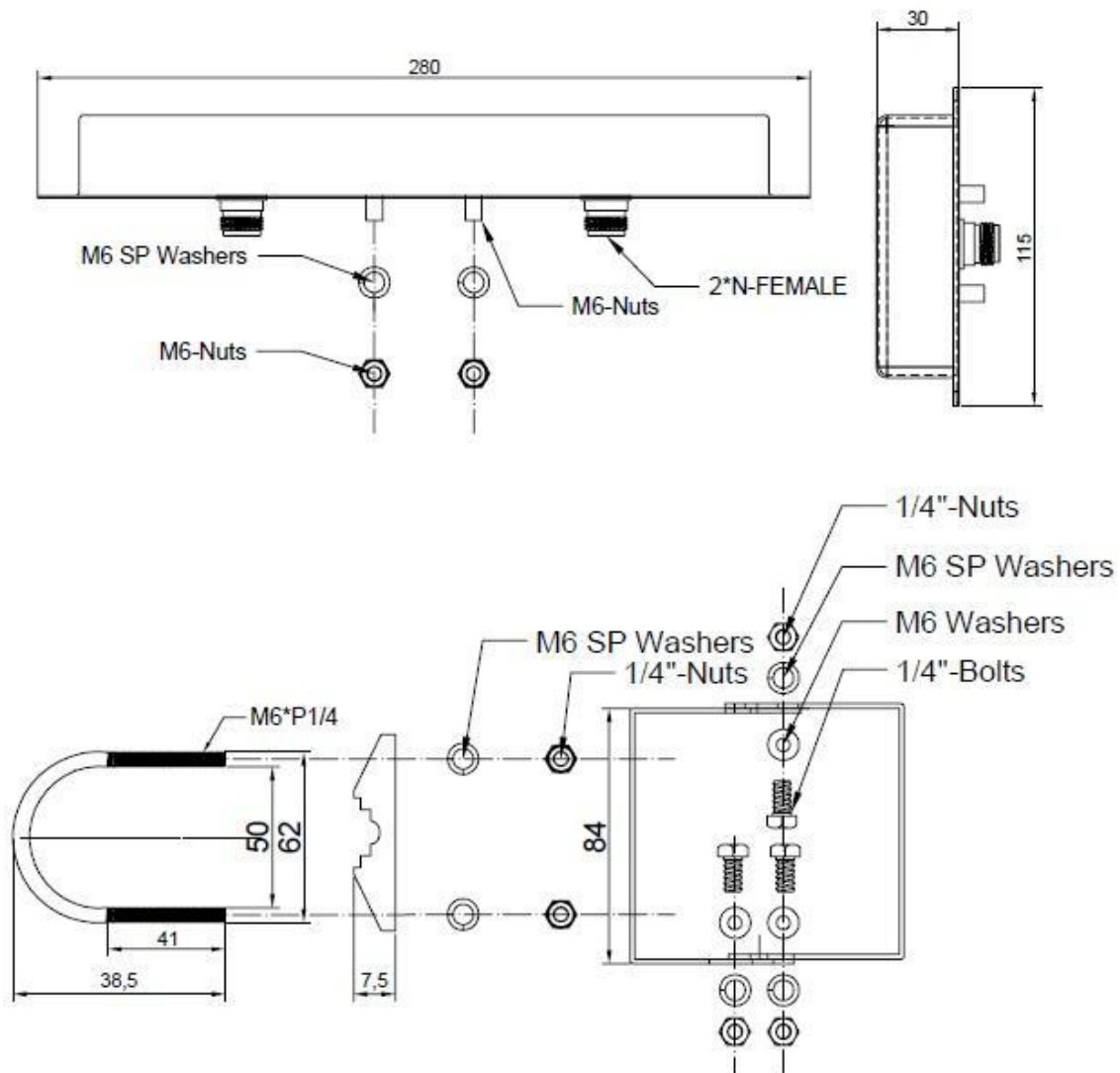


WiFi-Link™ Technologies Inc.

歲海尼可網路科技有限公司

WEB: <http://www.wifi-link.com.tw/> TEL: 06-2523801 FAX: 06-2526033

Antenna Installation Guide



NO	Name	Material	Qty	NO	Name	Material	Qty
1	Radome	ABS	1	6	M6 Nuts 1/4"-20-UNC	Zinc Plated	5
2	Metal plate	steel sheet	1	7	M6 SP Washers	Zinc Plated	7
3	Γ1-Style Bracket	Stanless	2	8	M6 Washers	Zinc Plated	3
4	Mounting kit	Stanless	1	9	M6 Nuts P1.0-10B*5T	Zinc Plated	2
5	U-bolt	Stanless	1	10	1/4" BOLTS	Zinc Plated	3

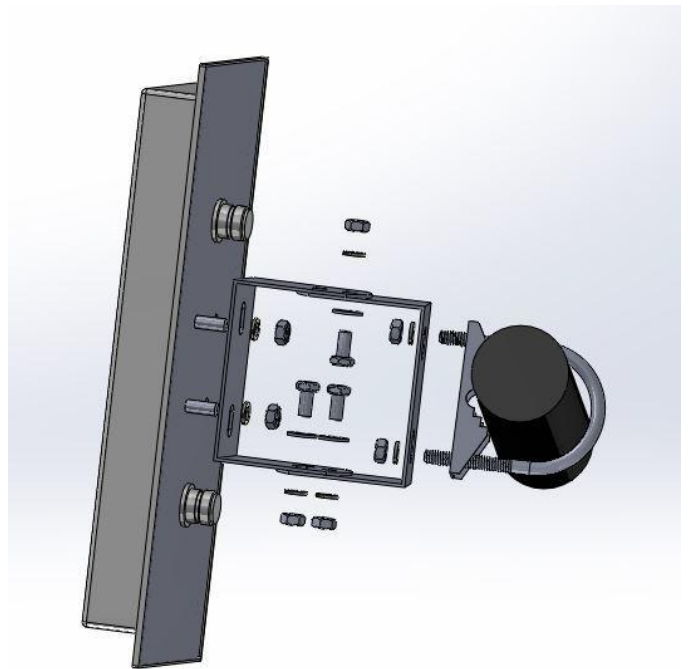
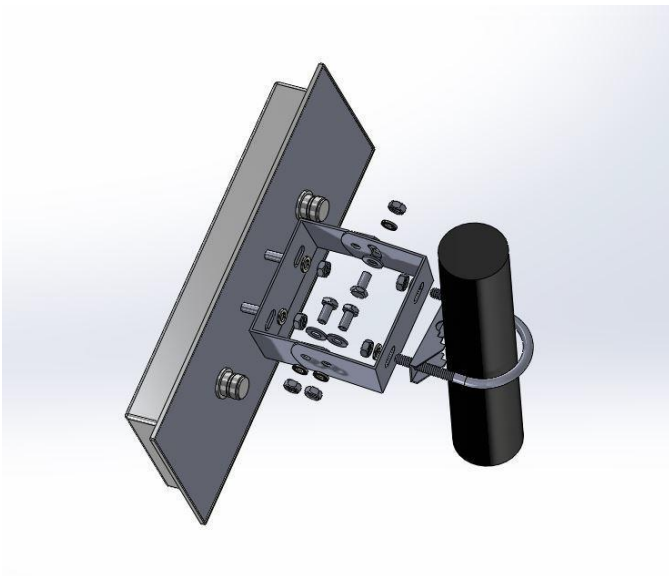
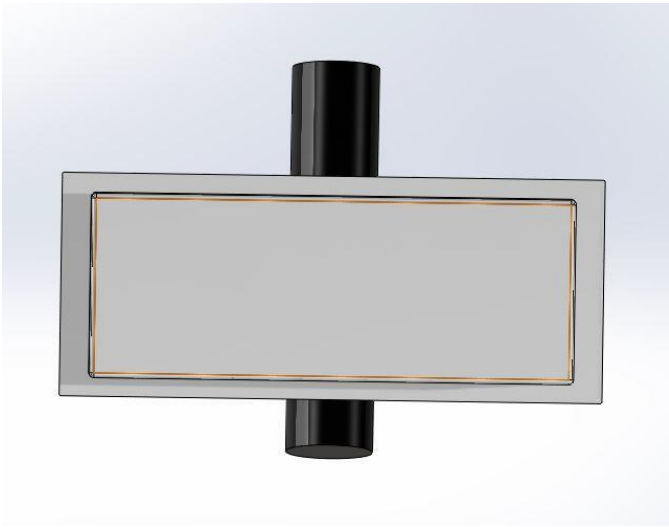


WIFI-Link™ Technologies Inc.

歲海尼可網路科技有限公司

WEB:<http://www.wifi-link.com.tw/> TEL:06-2523801 FAX:06-2526033

Mounting Kits Guide



WIFI-Link™ Technologies Inc.

歲海尼可網路科技有限公司

WEB:<http://www.wifi-link.com.tw/> TEL:06-2523801 FAX:06-2526033