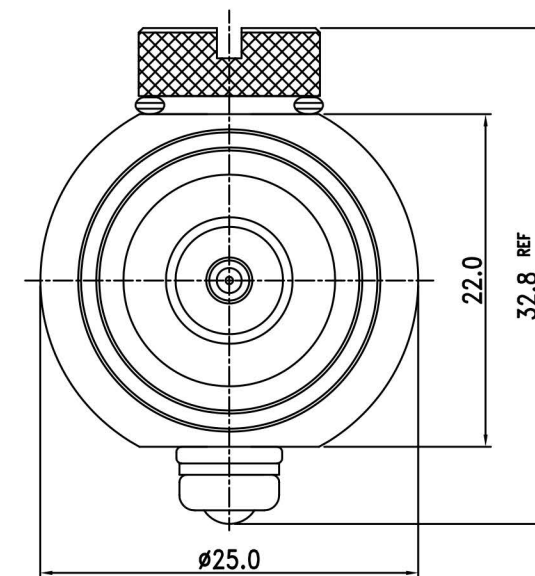
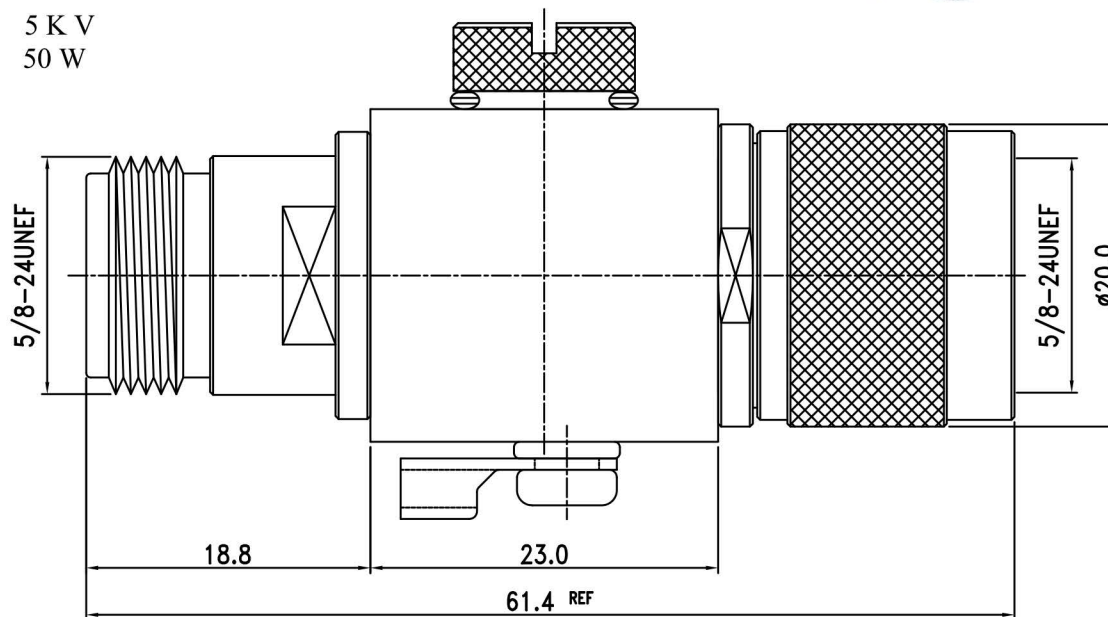


Specifications:

Frequency	0-6 GHz
VSWR	1:1.6 Max
Insertion Loss	0.8 dBi Max
Impedence	50 Ohm
Gas Tube DC	230V±20%
Breakdown Voltage	
Gas Tube Impulse	≧ 700V
Breakdown Voltage	
Gas Tube Insulation	≧ 10000 M Ohm
Resistance	
Max Withstand Current	5 K V
RF Power Rating	50 W



8.	Nut	Brass	1	Nickel
7.	Washer	Brass	1	Nickel
6.	Gasket	Silicone	1	Red
5.	Insulation	PTFE	2	White
4.	Pin	Brass	1	Gold
3.	Body	Brass	1	Nickel
2.	Body	Brass	1	Nickel
1.	Body	Brass	1	Nickel
NO.	DESCRIPTION	MATERIAL	Q' TY	FINISH

繪圖DRAWN	SCALE	UNITS
Jenny	比例 2:1	單位 mm
審核CHECKED	公差TOLERANCE	
James	.X	±0.2
主管APPROVAL	.XX	±0.1
	.XXX	±0.05
James	ANGLE	±0.5°



**WIFI-Link™**  
台灣崑海尼可

名稱NAME	同軸避雷器LP N Male TO N Female 6GHz	
版次REV.	電腦圖檔CAD FILE	日期DATE
編號NO.	WL-LA-NP-NJ6G	2012. 3. 15