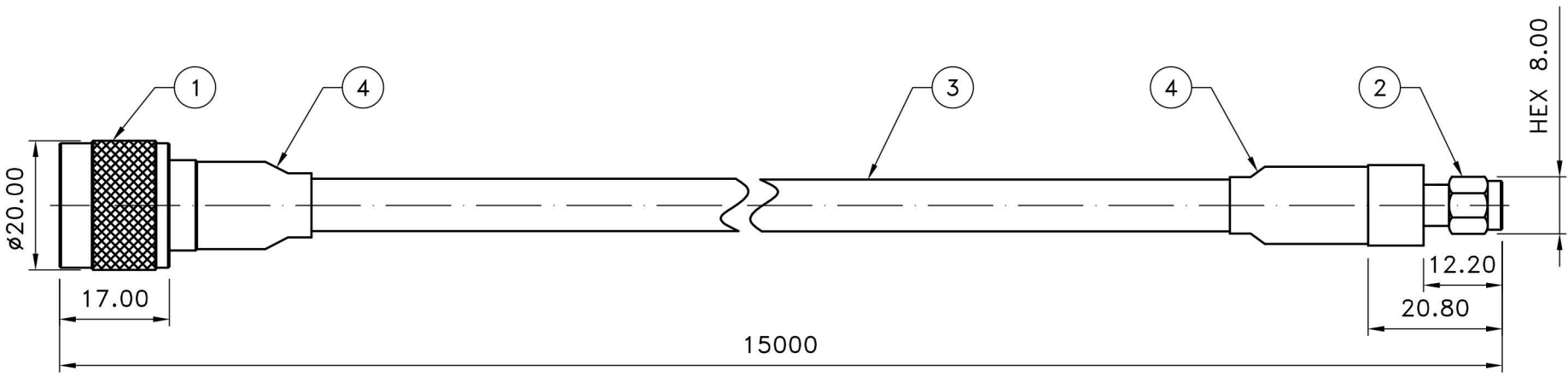


REV	DATE	DESCRIPTION	DRAWN



NOTE:
 1.N MALE CRIMP
 CENTER PIN GOLD PLATING 3μ THICK OVER NICKEL STRIKE
 BODY NICKEL PLATING 70μ THICK OVER NICKEL STRIKE
 BRASS AND PTFE PER SGS
 FINISH PLATING THICKNESS IN MICRO-INCHES
 COPPER PARTS AUTOMATIC CNC MANUFACTURING
 2.RP SMA MALE CRIMP
 CENTER PIN GOLD PLATING 3μ THICK OVER NICKEL STRIKE
 BODY NICKEL PLATING 70μ THICK OVER NICKEL STRIKE
 BRASS AND PTFE PER SGS
 PTFE : TOMBO No.9002
 FINISH PLATING THICKNESS IN MICRO-INCHES
 COPPER PARTS AUTOMATIC CNC MANUFACTURING
 3.LOW LOSS 400 COAXIAL CABLE/8D
 ATTENUATION : 0.061dB/ft@1575MHz 0.086dB/ft@3000MHz 0.125dB/ft@6000MHz
 CONDUCTOR : COPPER CLAD ALUMINIUM/Ø2.74mm
 INSULATION : GAS-FPE/Ø7.24mm
 TAPE : BONDED ALUMINUM FOIL
 SHIELD : TINNED COPPER WARE/16*6*0.12mm/67% COVERAGE
 JACKET : PE/Ø10.29mm

Prohibit re-circulating



NO	DESCRIPTION	MATERIAL	FINISH	Q'ty
4	D0087 (SHRINK TUBE)	PE	BLACK	2
3	LLC400	ASSY	BLACK	1
2	SMA-1001-13-B4-TGN	BRASS	NICKEL	1
1	N-1101-9-B4-TGN	BRASS	NICKEL	1

NOTE	DIMENSION
1. STRIP ALL BURRS. 2. ALL DIMENSIONS ARE AFTER PLATING. 3. DIAMETERS ON COMMON CENTERS. TO BE CONCENTRIC WITHIN 0.1 T.I.R 4. CHAMFER 1ST & LAST THREADS 45° 5. BREAK ALL CONNERS & EDGES CO.15 MAX.	UNLESS OTHERWISE NOTED TOLERANCES 0.X=±0.2 0.XX=±0.1 CABLE LENGTH: L ≥ 10000 = + ⁵⁰ ₋₀ 1000 ≤ L < 10000 = + ³⁰ ₋₀ L < 1000 = + ⁸ ₋₀

WIFI-Link™ 台灣威海尼可	
TITLE N male to RP SMA male	
DRAWING NO. np-rsmap-400-15.0	
APPROVED	DRAWN DATE 03/01/18
CHECKED	SCALE 1:1
DRAWN ALICE	UNIT mm